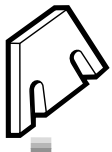
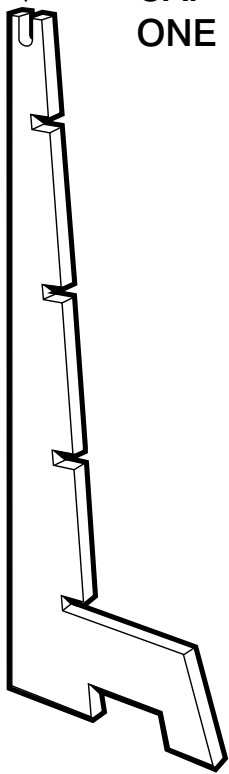


# ASSEMBLY INSTRUCTIONS

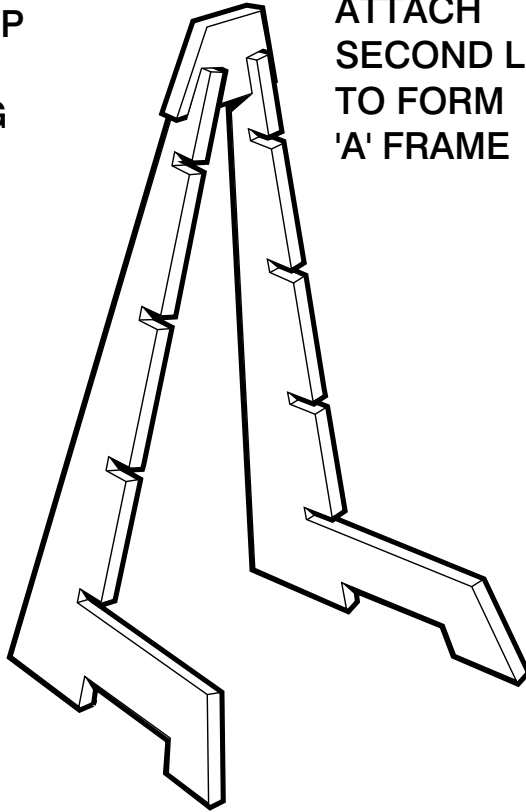


**1**  
SLOT TOP  
CAP TO  
ONE LEG



**2**

ATTACH  
SECOND LEG  
TO FORM  
'A' FRAME



**4** STAND UP  
COMPLETED  
UNIT

**3** LAY UNIT ON  
ITS BACK  
PUSH SHELVES  
INTO SLOTS  
IN ORDER  
**A** SMALLEST  
TO **D** LARGEST  
PUSH FULLY  
HOME

